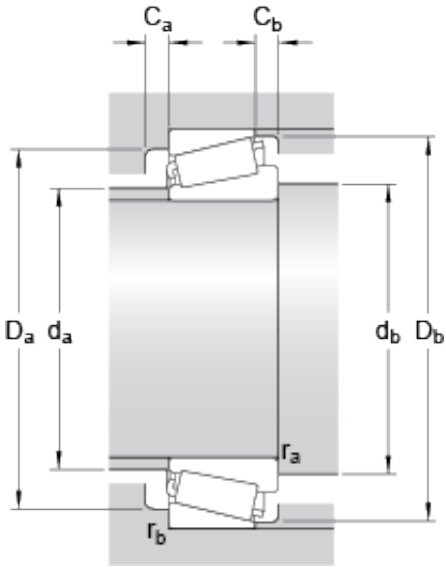




PFG BEARING LIMITED



30306 Bearing 2D drawings and 3D CAD models

skf 30306 bearing

Bearing No. 30306

Dimension series	2FB
d	30 mm
D	72 mm
T	20.75 mm
d ₁	48.45 mm
B	19 mm
C	16 mm
r _{1,2} min.	1.5 mm
r _{3,4} min.	1.5 mm
a	14.626 mm
d _a max.	41 mm
d _b min.	38 mm
D _a min.	62 mm
D _a max.	64.5 mm
D _b min.	66 mm
C _a min.	3 mm
C _b min.	4.5 mm
r _a max.	1.5 mm
r _b max.	1.5 mm
Basic dynamic load rating C	69.2 kN
Basic static load rating C ₀	56 kN
Fatigue load limit P _u	6.4 kN
Reference speed	8000 r/min
Limiting speed	10000 r/min
Calculation factor e	0.31
Calculation factor Y	1.9



PFG BEARING LIMITED

Calculation factor Y_0	1.1
Mass bearing	0.38 kg