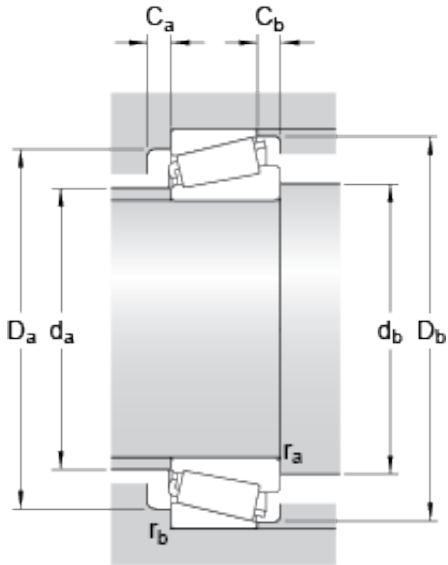




PFG BEARING LIMITED

35 mm x 80 mm x 31 mm skf 32307 bearing

Bearing No. 32307



32307 Bearing 2D drawings and 3D CAD models

Dimension series	2FE
d	35 mm
D	80 mm
T	32.75 mm
d ₁	54.85 mm
B	31 mm
C	25 mm
r _{1,2} min.	2 mm
r _{3,4} min.	1.5 mm
a	20.123 mm
d _a max.	44 mm
d _b min.	44.5 mm
D _a min.	66 mm
D _a max.	72.5 mm
D _b min.	74 mm
C _a min.	4 mm
C _b min.	7.5 mm
r _a max.	2 mm
r _b max.	1.5 mm
Basic dynamic load rating C	117 kN
Basic static load rating C ₀	106 kN
Fatigue load limit P _u	12.2 kN
Reference speed	6700 r/min
Limiting speed	9000 r/min
Calculation factor e	0.31
Calculation factor Y	1.9



PFG BEARING LIMITED

Calculation factor Y_0	1.1
Mass bearing	0.75 kg