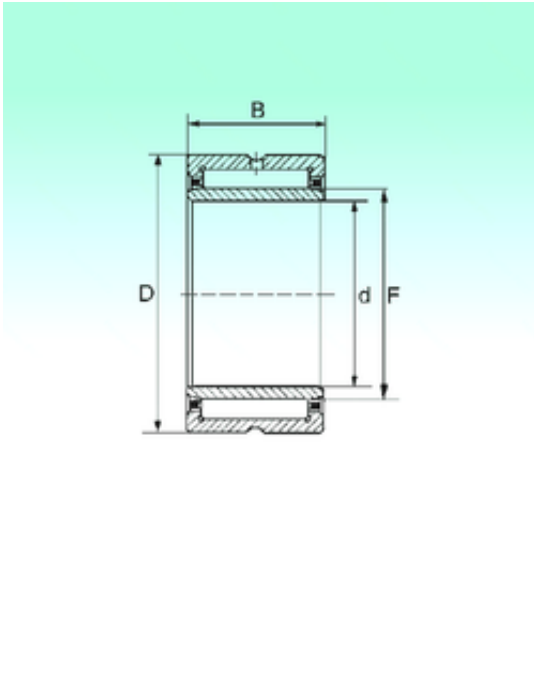




# PFG BEARING LIMITED



NKI 40/30 Bearing 2D drawings and 3D CAD models

## NBS NKI 40/30 needle roller bearings

Bearing No. NKI 40/30

Size	40x55x30 mm
Bore Diameter	40 mm
Outer Diameter	55 mm
Width	30 mm
d	40 mm
Fw	45 mm
D	55 mm
C	30 mm
Weight	0,216 Kg
Basic dynamic load rating (C)	35 kN
Basic static load rating (C0)	86 kN