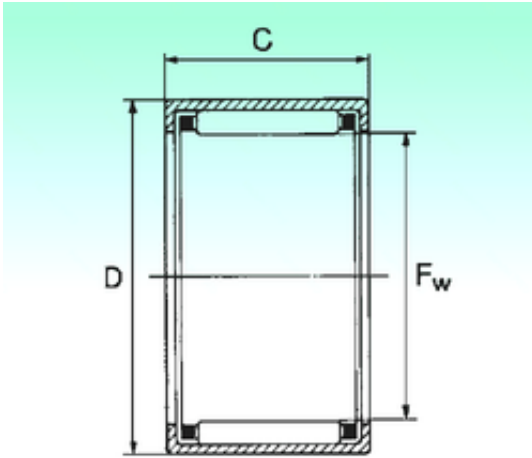




PFG BEARING LIMITED



NBS HK 1812 needle roller bearings

Bearing No. HK 1812

Size	18x24x12 mm
Bore Diameter	18 mm
Outer Diameter	24 mm
Width	12 mm
Fw	18 mm
D	24 mm
C	12 mm
Weight	0,0131 Kg
Basic dynamic load rating (C)	7,7 kN
Basic static load rating (C0)	10,35 kN

HK 1812 Bearing 2D drawings and 3D CAD models