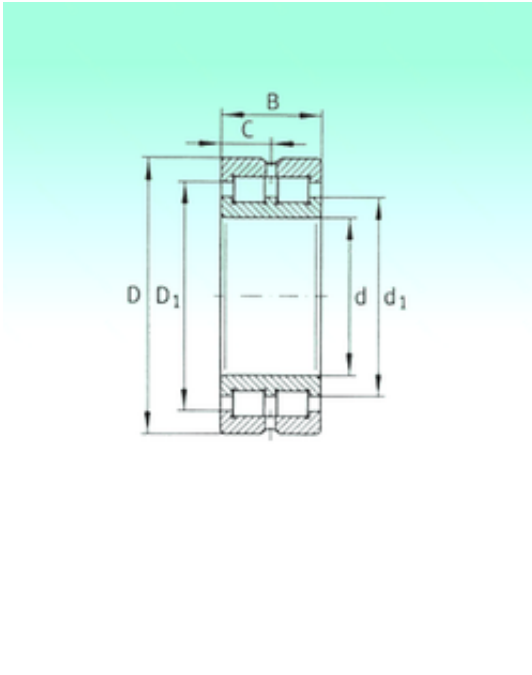




# PFG BEARING LIMITED



SL014868 Bearing 2D drawings and 3D CAD models

340 mm x 420 mm x 80 mm NBS SL014868  
cylindrical roller bearings

Bearing No. SL014868

Size	340x420x80 mm
Bore Diameter	340 mm
Outer Diameter	420 mm
Width	80 mm
d	340 mm
D	420 mm
B	80 mm
C	80 mm
d1	368,1 mm
C	40 mm
D1	390,1 mm
Weight	25,5 Kg
Basic dynamic load rating (C)	880 kN
Basic static load rating (C0)	2390 kN