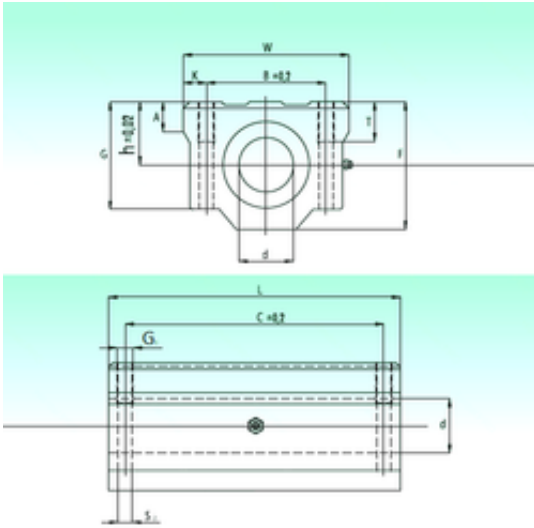




PFG BEARING LIMITED



SCW 30 Bearing 2D drawings and 3D CAD models

NBS SCW 30 linear bearings

Bearing No. SCW 30

Bore Diameter	30 mm
d	30 mm
Thread (G1)	M8
h	30 mm
A	15 mm
B	58 mm
C	132 mm
F	59,5 mm
G	49 mm
K	10 mm
L	154 mm
S2	6,8 mm
T	18 mm
W	78 mm
Weight	1,48 Kg
Basic dynamic load rating (C)	2,5 kN